



REPAIR PARTS

GSXC70 2-Stage Remote Condensing Unit

GSXC702410AA
GSXC703610AA
GSXC704810AA
GSXC706010AA



This manual is to be used by qualified technicians only.

© 2022 Goodman Manufacturing Company, L.P. ♦ 5151 San Felipe St, Suite 500 ♦ Houston, TX 77056

Important Information

Index

Functional Parts List	3
Illustration and Parts	4 - 9

Views shown are for parts illustrations only, not servicing procedures.

Text Codes:

AR - As Required

NA - Not Available

NS - Not Shown

00000000 - See Note

QTY - Quantity Example (QTY 3) (If Quantity not shown, Quantity = 1)

M - Model Example (M1) (If M Code not shown, then part is used on all Models)

Expanded Model Nomenclature:

Example M1 - Model#1 M2 - Model#2 M3 - Model#3

Goodman Manufacturing Company, L.P. is not responsible for personal injury or property damage resulting from improper service. Review all service information before beginning repairs.

Warranty service must be performed by an authorized technician, using authorized factory parts. If service is required after the warranty expires, Goodman Manufacturing Company, L.P. also recommends contacting an authorized technician and using authorized factory parts.

Goodman Manufacturing Company, L.P. reserves the right to discontinue, or change at any time, specifications or designs without notice or without incurring obligations.

For assistance within the U.S.A. contact:
Homeowner Support
Goodman Manufacturing Company, L.P.
19001 Kermier Road
Waller, Texas 77484
877-254-4729-Telephone
713-863-2382-Facsimile

For assistance outside the U.S.A. contact:
International Division
Goodman Manufacturing Company, L.P.
19001 Kermier Road
Waller, Texas 77484
713-861-2500-Telephone
713-863-2382-Facsimile

Functional Parts

Part

No: Description:

SHARED DATA	Available thru CoolCloud HVAC app
0151R00185	BASE VALVE 3/4" (M1, M2)
0151R00187	BASE VALVE 3/8"
0151R00186	BASE VALVE 7/8" (M3, M4)
CAP050350440CS	CAP, 5/35 MFD/440V/DUAL RD (M1, M3)
CAB050400440CT	CAP, 5/40 MFD/440V RD - BPRF (M4)
CAP050300440CS	CAP,5/30MFD/440V/DUAL RD (M2)
ZPS51K7EPFV130	COMP 49000,208/230/60/1 (M4)
ZPS19K6EPFV130	COMP, 19000,208/230/60/1 (M1)
ZPS40K6EPFV130	COMP, 40000,208/230/60/1 (M3)
ZPS29K7EPFV130	COMPRESSOR (M2)
0163R00007	HEATER, CRANKCASE 230V, 40W (M3, M4)
0163R00006	HEATER, CRANKCASE 230V, 40W (M1, M2)
0130M00086	LOW PRESSURE SWITCH
0131M00827	MOTOR, ECM (M1, M2)
0131M00804	MOTOR, ECM (M3, M4)
0130M00054	OUTDOOR AIR TEMP SENSOR
PCBGR104	PCB, CONTROL
0130R00003	SW-CUTOUT HI PRESS
0130M00138	TRANSFORMER

SPECIAL PARTS

0161R00088	CAP, GRILL
0161R00092	NAMEPLATE, GOODMAN

Expanded Model Nomenclature

M1 - GSXC702410AA
M2 - GSXC703610AA
M3 - GSXC704810AA
M4 - GSXC706010AA

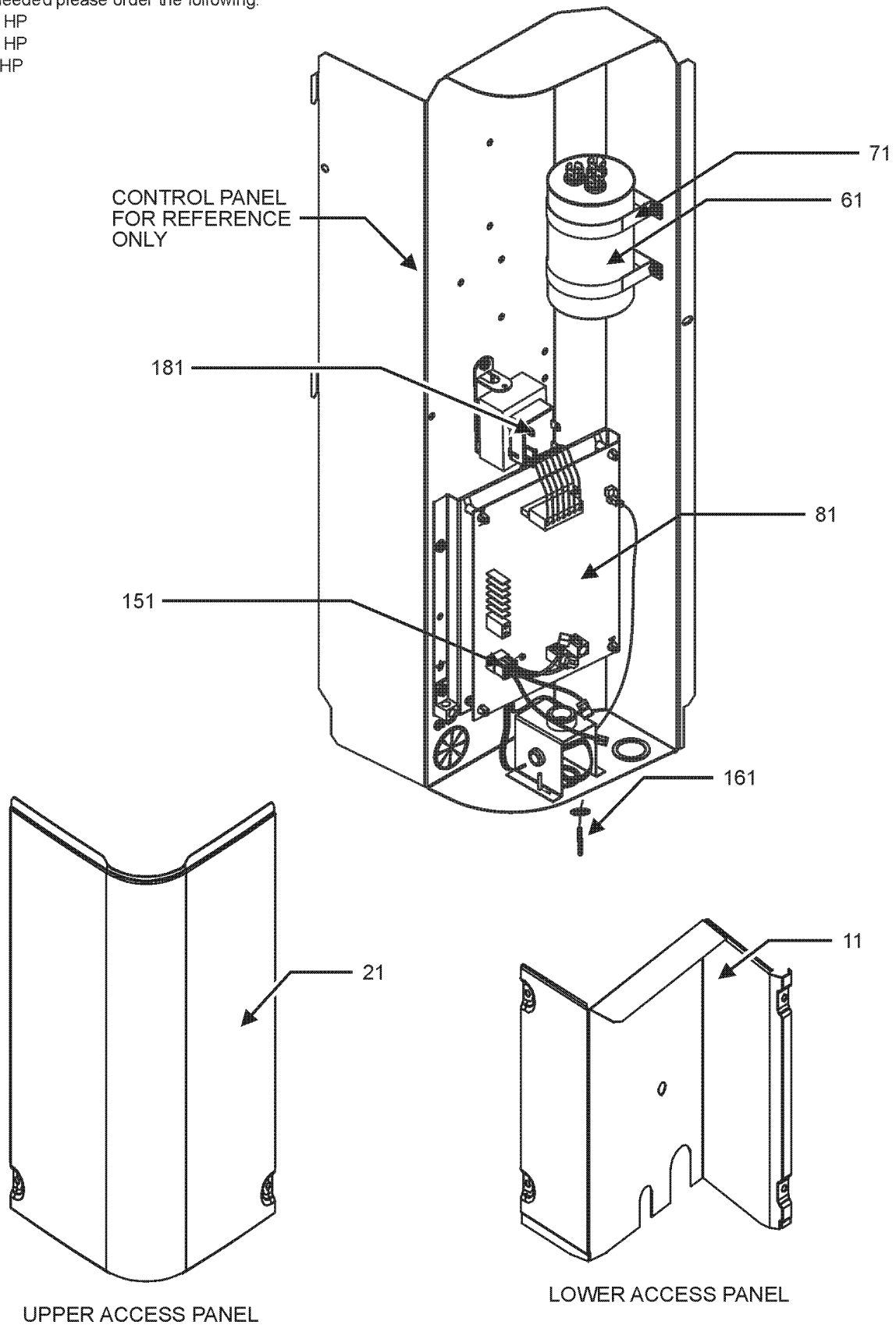
Control Box Assembly

*If end bells are needed please order the following:

0131M00182 - 1/2 HP

0131M00183 - 3/4 HP

0131M00184 - 1 HP



Control Box Assembly

Ref. Part No:	Description:	Ref. Part No:	Description:
---------------	--------------	---------------	--------------

Image 1:

11	0121R00918PDG	PNL, LWR ACCESS (M3, M4)
11	0121R00923PDG	PNL, LWR ACCESS (M1, M2)
21	0121R00950PDG	CONTROL COVER, LARGE PNT
61	CAP050350440CS	CAP, 5/35 MFD/440V/DUAL RD (M1, M3)
61	CAB050400440CT	CAP, 5/40 MFD/440V RD - BPRF (M4)
61	CAP050300440CS	CAP,5/30MFD/440V/DUAL RD (M2)
71	0121R00213	CAPACITOR STRAP (QTY 2)
81	PCBGR104	PCB, CONTROL
151	0259R00009	ASSY, HARNESS
161	0130M00054	OUTDOOR AIR TEMP SENSOR
181	0130M00138	TRANSFORMER
NS	SHARED DATA	Available thru CoolCloud HVAC app
NS	0161R00092	NAMEPLATE, GOODMAN

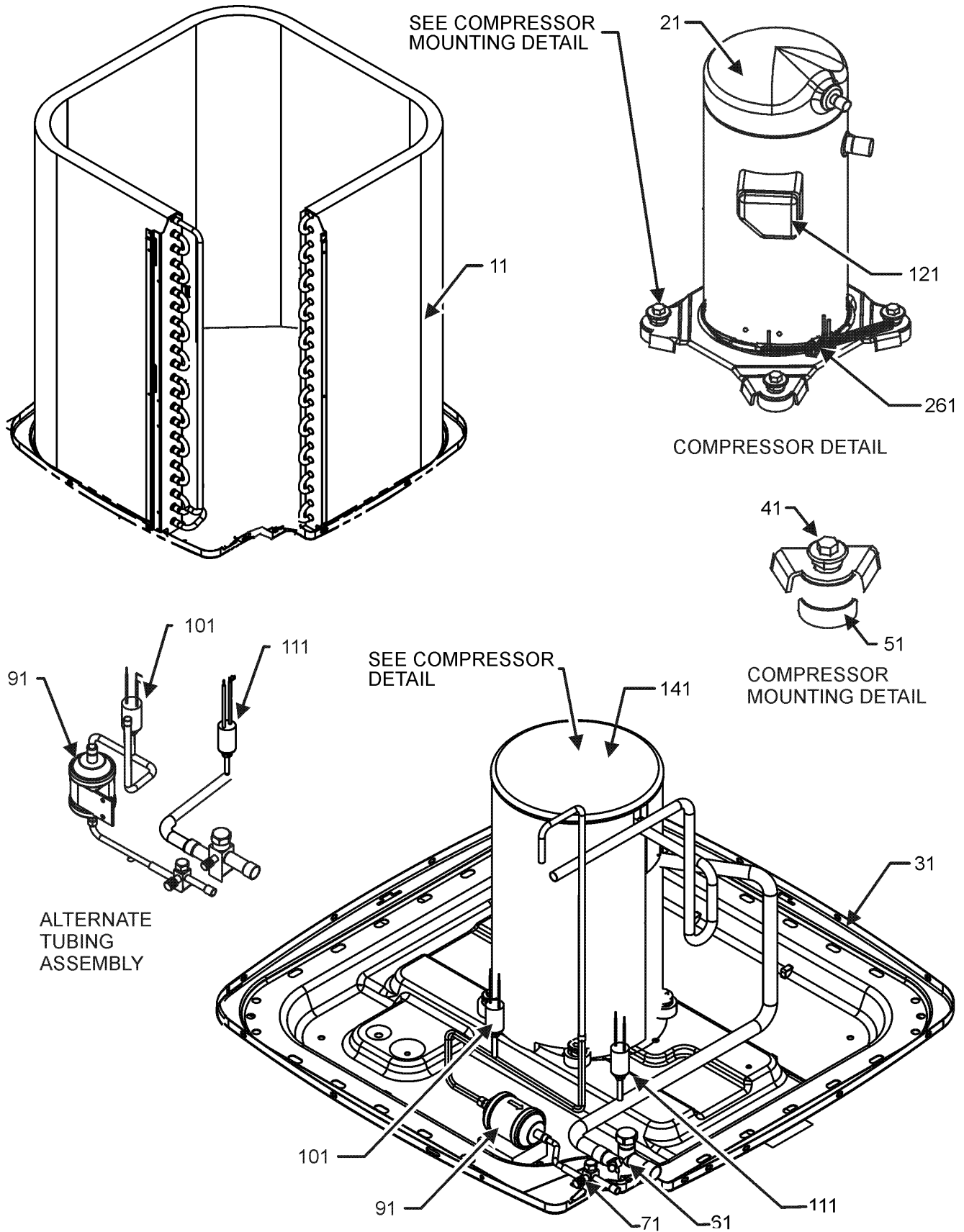
Expanded Model Nomenclature

M1 - GSXC702410AA
M2 - GSXC703610AA
M3 - GSXC704810AA
M4 - GSXC706010AA

*If end bells are needed please order the following:

- 0131M00182 - 1/2 HP
- 0131M00183 - 3/4 HP
- 0131M00184 - 1 HP

Compressor and Tubing Assembly



Compressor and Tubing Assembly

Ref. Part No:	Ref. Part No:	Description:	Description:
---------------	---------------	--------------	--------------

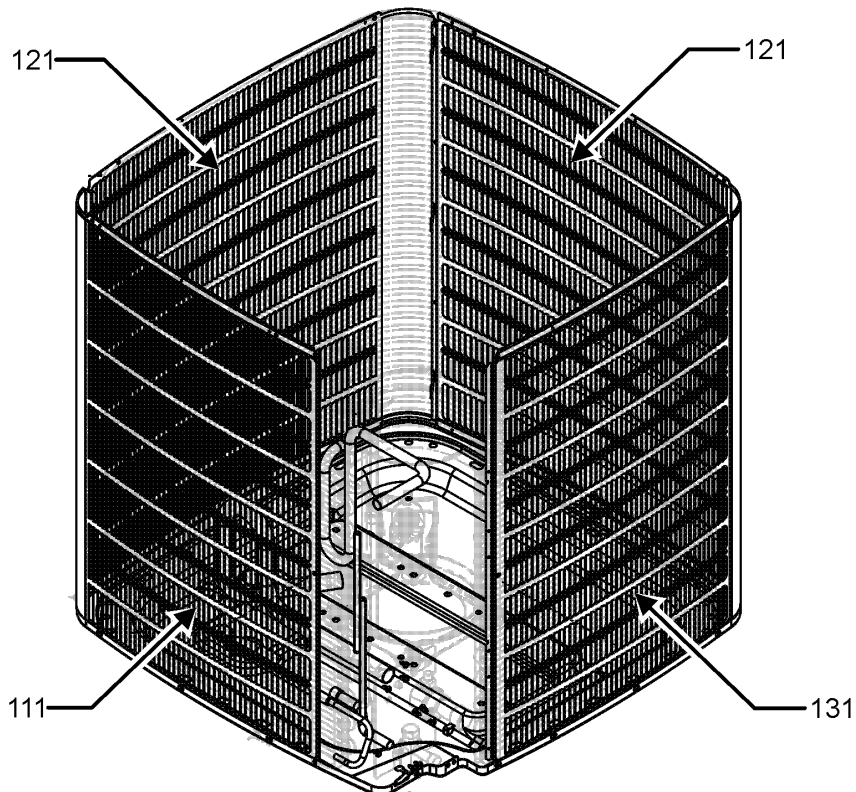
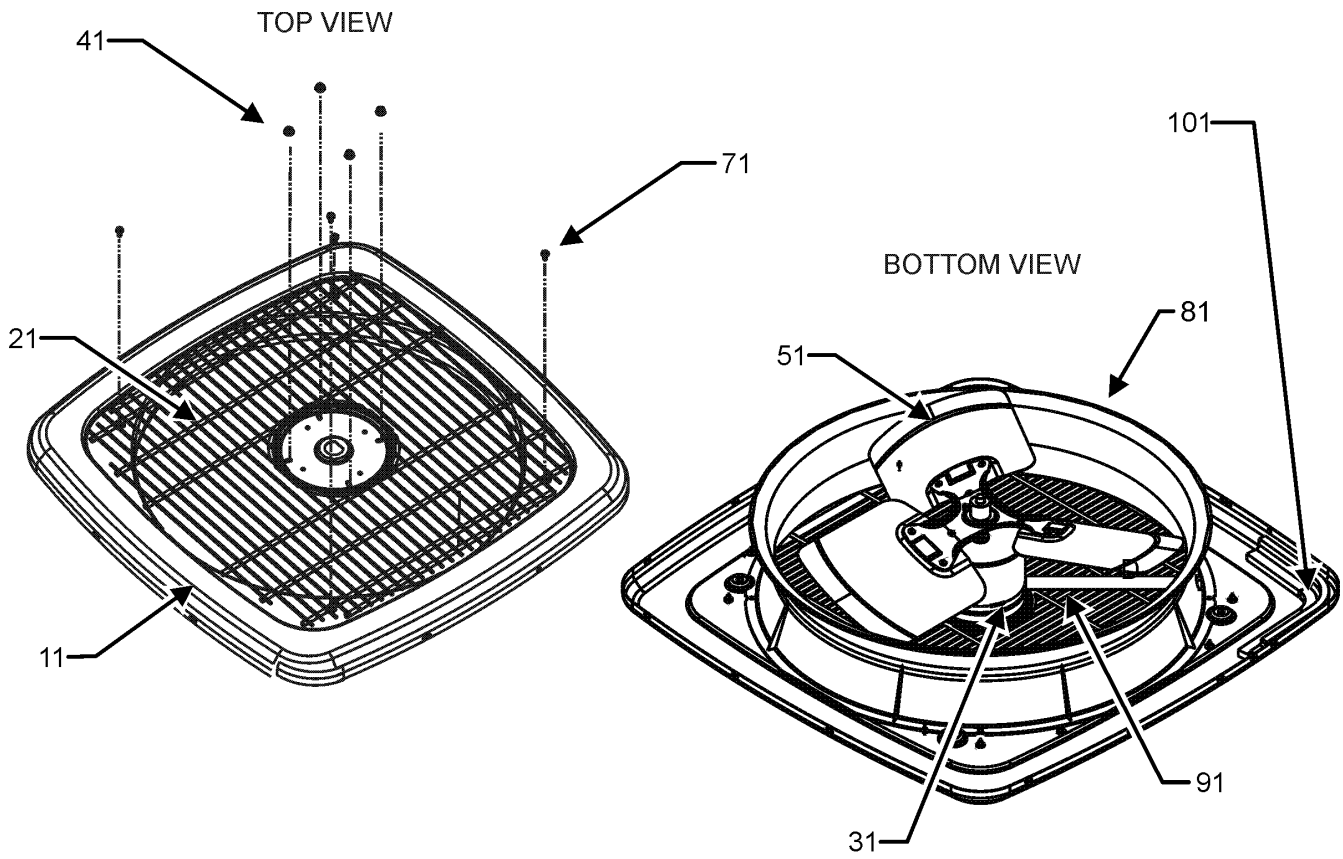
Image 1:

11	0201R00433	COIL TUBING ASSY (M1, M2)
11	0201R00718	COIL TUBING ASSY (M4)
11	0201R00738	COIL TUBING ASSY (M3)
21	ZPS51K7EPFV130	COMP 49000,208/230/60/1 (M4)
21	ZPS19K6EPFV130	COMP, 19000,208/230/60/1 (M1)
21	ZPS40K6EPFV130	COMP, 40000,208/230/60/1 (M3)
21	ZPS29K7EPFV130	COMPRESSOR (M2)
31	0121R00007PDG	BASE PAN 35"
41	M0221641	TF SHOULDER SCREW (QTY 4)
51	B1339533	GROMMET, COMPRESSOR (SCROLL & (QTY 4)
61	0151R00185	BASE VALVE 3/4" (M1, M2)
61	0151R00186	BASE VALVE 7/8" (M3, M4)
71	0151R00187	BASE VALVE 3/8"
91	0162R00057	FILTER DRIER
101	0130R00003	SW-CUTOUT HI PRESS
111	0130M00086	LOW PRESSURE SWITCH
121	0159R00002P	HARNESS, COMP SCROLL 130 46"
141	0160M00035	COMPRESSOR BLANKET (M1, M2)
141	0160M00038	COMPRESSOR BLANKET (M3)
141	0160M00039	COMPRESSOR BLANKET (M4)
261	0163R00006	HEATER, CRANKCASE 230V, 40W (M1, M2)
261	0163R00007	HEATER, CRANKCASE 230V, 40W (M3, M4)
NS	0130M00005P	WIRE HARNESS, COMPR SOLENOID

Expanded Model Nomenclature

- | |
|-------------------|
| M1 - GSXC702410AA |
| M2 - GSXC703610AA |
| M3 - GSXC704810AA |
| M4 - GSXC706010AA |

Top and Louver Side Panel Assembly



LOUVER PANEL ASSEMBLY

Top and Louver Side Panel Assembly

Ref. Part No:	No:	Description:	Ref. Part No:	No:	Description:
---------------	-----	--------------	---------------	-----	--------------

Image 1:

11	0121R00936PDG	TOP PANEL, 35. PNT
21	0152R00027	GRILL, WIRE 35. TOP
31	0131M00804	MOTOR, ECM (M3, M4)
31	0131M00827	MOTOR, ECM (M1, M2)
41	M0280801	HEX NUT (QTY 4)
51	0150M00054	FAN BLADE, 26"
71	0163M00003P	SCREW #10 X 1/2, A, SLOT, SR, BLACK (QTY 6)
81	0161R00105	35" VENTURI CFS
91	0163M00385	CONDUIT, FLEXIBLE
101	0154R00045	GASKET, CONTROL PANEL
111	0121R00229PDG	PANEL 1, BENT LOUVER 35 (M1, M2)
111	0121R00593PDG	PANEL 1, BENT LOUVER 35_39.84 (M3, M4)
121	0121R00232PDG	PANEL 2, BENT LOUVER 35 (M1, M2)
121	0121R00595PDG	PANEL 2, BENT LOUVER 35_39.84 (M3, M4)
131	0121R00235PDG	PANEL 3, LOUVER 35, 37.8 (M1, M2)
131	0121R00597PDG	PANEL 3, LOUVER 35_39.84 PNT (M3, M4)
NS	0161R00088	CAP, GRILL

Expanded Model Nomenclature

M1 - GSXC702410AA
M2 - GSXC703610AA
M3 - GSXC704810AA
M4 - GSXC706010AA